

# AMP320

## Technical Datasheet



EFE

16, rue de la Porte à Bateaux- F-27540 Ivry La Bataille, France

Tél. +33.2.32.22.35.03

Fax. +33.2.32.36.93.08

[www.efe-sensor.com](http://www.efe-sensor.com)

[infos@efe-sensor.com](mailto:infos@efe-sensor.com)

[www.efe-sensor.com](http://www.efe-sensor.com)

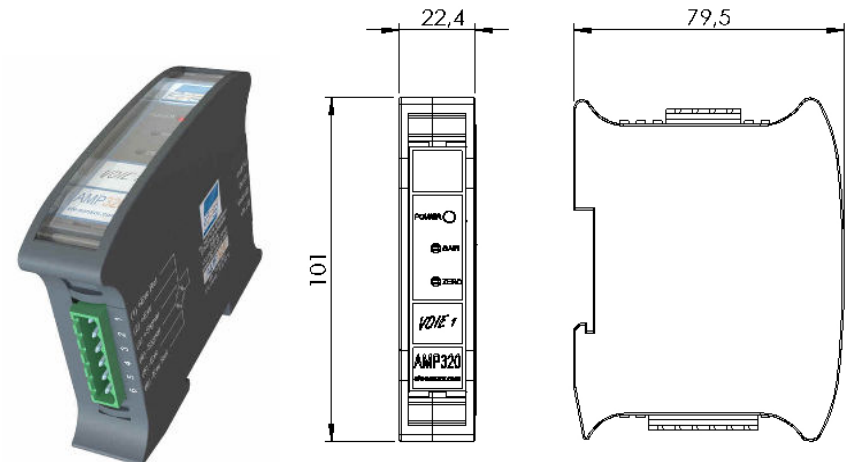
## Specifications

Environment				
Parameter	Min	Typical	Max	Unit
Operating Temperature	0		70	°C
Storage Temperature	-40°C		85	°C
IP Rating		IP31		

Electrical Specifications				
Parameter	Min	Typical	Max	Unit
Power Supply	14		26	VDC
Current Draw (2)		30		mA
Output Impedance (Voltage)		< 1 Ohms		Ohms
Output Impedance (Current)			700	Ohms
Sensor Impedance	100			Ohms
Bandwidth (3)	1000		10000	Hz
Common Mode Rejection Ratio	120			dB
Output Span Range	-10		10	% of Rated Output
Output Zero Range	-10		10	% of Rated Output
Gain Drift with Temperature	-25	X	25	PPM of FSR per degree Celsius
Gain Non- Linearity (Better than)	-0.01	X	0.01	% of FSR
Zero Drift with Temperature	-25	X	25	PPM of FSR per degree Celsius

(2) No Load Applied (Input or Output) - Power supply must source 150 mA minimum

(3) According ordered option (10kHz, only for sensor's sensitivity of 1 mV/V or greater)



WARNING: DO NOT CONNECT DEVICE TO POWER SUPPLY WHEN POWER SUPPLY IS ALREADY ON

[www.efe-sensor.com](http://www.efe-sensor.com)